

## Eccentric Cams

**Stainless Steel, Radial Clamping, with Threaded Bolt, Screw from the Operator's side, Screw from the Back**

### SPECIFICATION

#### Types

- Type **KV / KVS / KVB**: With ball lever, angular (serration)
- Type **GV / GVS / GVB**: With ball lever, straight (serration)
- Type **SK / SKS / SKB**: With hex

#### Clamping direction

- Type **R**: By clockwise rotation (drawn version)
- Type **L**: By anti-clockwise rotation

Stainless steel

#### Version with Threaded Bolt

- Eccentric cam  
AISI 303, chemically nickel plated
- Threaded bolt and thrust washer  
AISI 630, tempered
- Lever  
AISI 303, matte shot-blasted

#### Version with Screw from the Operator's Side

- Eccentric cam  
AISI 303, chemically nickel plated
- Guide bushing and thrust washer  
AISI 630, tempered
- Socket cap screw DIN 912-A2-70
- Lever  
AISI 303, matte shot-blasted

#### Version with Screw from the Back

- Eccentric cam  
AISI 303, chemically nickel plated
  - Threaded bushing, thrust washer and washer  
AISI 630, tempered
  - Socket cap screw DIN 912-A2-70
  - Lever  
AISI 303, matte shot-blasted
- Ball knob DIN 319 (see page 538)  
Plastic, Duroplast  
Black, shiny finish



### INFORMATION

Eccentric cams GN 918.5 allow the rapid and secure clamping and releasing at a relatively large clamping range and with high clamping force. The cam offers the advantage that the clamping force remains constant in every angular and is self-locking at the same time. The lever handles of types KV / KVS / KVB and GV / GVS / GVB feature a positive connection with the eccentric cam by means of a serration. During assembly, the position of the lever can thus be fixed in a position that is favorable for clamping.

#### Version with Threaded Bolt

The use of the thrust washer eliminates the need for special requirements on the execution of the threaded hole, so that it can also be mounted on tables with T-slots, for example.

#### Version with Screw from the Operator's Side

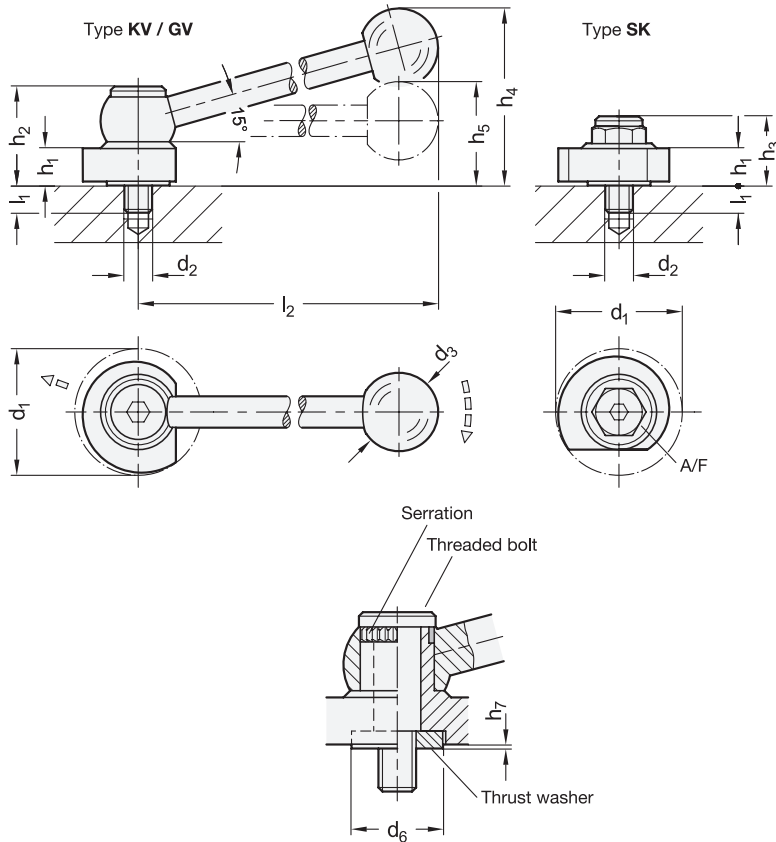
Fastening via screw from the operator's side bridges a larger clamping range. A sufficiently large screw-in depth  $t$  is necessary to safely absorb the screw forces. The centering step of the thrust washer provides protection from impermissible lateral forces on the socket cap screw.

#### Version with Screw from the Back

Fastening the screw from the back allows the use, if there is no thread in the surrounding structure. The heavy duty washer absorbs and transfers the resulting screw forces. The centering step of the thrust washer provides protection from impermissible lateral forces on the socket cap screw.

### TECHNICAL INFORMATION

- Technical instructions (see page )
- Strength Values of Screws (see page A20)
- Plastic Characteristics (see page A2)
- Stainless Steel Characteristics (see page A26)



\* Complete with

R By clockwise rotation (drawn version) L By anti-clockwise rotation

GN 918.5-KV

STAINLESS STEEL

Description	d1 -0.5	d2	d3	d6	h1	h2	h4 ≈	h5	h7 ≈	l1	l2 ≈	⚖
GN 918.5-40-KV-*	40p	M 8	25	20	10	31	55	31	0.2	8	100	178
GN 918.5-50-KV-*	50	M 10	30	24	12	35	62	36	0.2	11	116	310

GN 918.5-GV

STAINLESS STEEL

Description	d1 -0.5	d2	d3	d6	h1	h2	h4 ≈	h5	h7 ≈	l1	l2 ≈	⚖
GN 918.5-40-GV-*	40	M 8	25	20	10	31	55	31	0.2	8	100	177
GN 918.5-50-GV-*	50	M 10	30	24	12	35	62	36	0.2	11	116	312

GN 918.5-SK

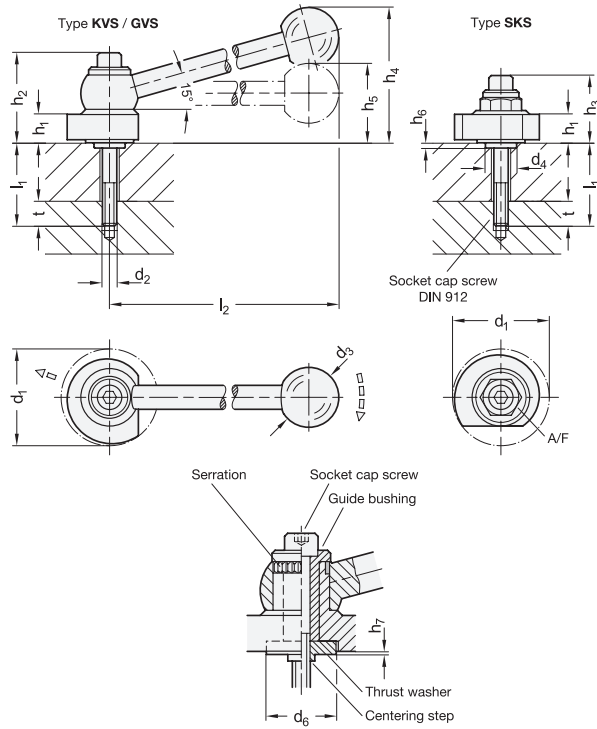
STAINLESS STEEL

Description	d1 -0.5	d2	d6	h1	h3	h7 ≈	l1	A/F	⚖
GN 918.5-40-SK-*	40	M 8	20	10	21.5	0.2	8	15	90
GN 918.5-50-SK-*	50	M 10	24	12	24.5	0.2	11	19	154

Weight type R



Machine elements



\* Complete with

- R** By clockwise rotation (drawn version)
- L** By anti-clockwise rotation

GN 918.5-KVS

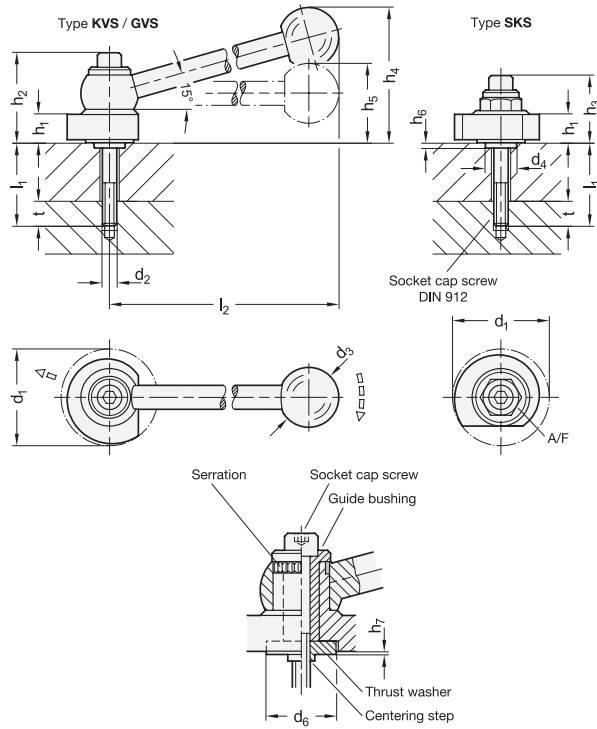
STAINLESS STEEL

Description	d1 -0.5	l1	d2	d3	d4 h9	d6	h1	h2	h4 ≈	h5	h6 -0.1	h7 ≈	l2 ≈	Δ
GN 918.5-40-KVS*-10	40	10	M 6	25	9	20	10	36	55	31	2.5	0.2	100	156
GN 918.5-40-KVS*-15	40	15	M 6	25	9	20	10	36	55	31	2.5	0.2	100	156
GN 918.5-40-KVS*-20	40	20	M 6	25	9	20	10	36	55	31	2.5	0.2	100	158
GN 918.5-40-KVS*-25	40	25	M 6	25	9	20	10	36	55	31	2.5	0.2	100	158
GN 918.5-40-KVS*-30	40	30	M 6	25	9	20	10	36	55	31	2.5	0.2	100	160
GN 918.5-40-KVS*-40	40	40	M 6	25	9	20	10	36	55	31	2.5	0.2	100	161
GN 918.5-40-KVS*-45	40	45	M 6	25	9	20	10	36	55	31	2.5	0.2	100	162
GN 918.5-40-KVS*-50	40	50	M 6	25	9	20	10	36	55	31	2.5	0.2	100	162
GN 918.5-40-KVS*-60	40	60	M 6	25	9	20	10	36	55	31	2.5	0.2	100	164
GN 918.5-40-KVS*-65	40	65	M 6	25	9	20	10	36	55	31	2.5	0.2	100	166
GN 918.5-40-KVS*-70	40	70	M 6	25	9	20	10	36	55	31	2.5	0.2	100	168
GN 918.5-40-KVS*-80	40	80	M 6	25	9	20	10	36	55	31	2.5	0.2	100	170
GN 918.5-40-KVS*-90	40	90	M 6	25	9	20	10	36	55	31	2.5	0.2	100	172
GN 918.5-50-KVS*-12	50	12	M 8	30	11	24	12	41	62	36	2.5	0.2	116	266
GN 918.5-50-KVS*-22	50	22	M 8	30	11	24	12	41	62	36	2.5	0.2	116	270
GN 918.5-50-KVS*-32	50	32	M 8	30	11	24	12	41	62	36	2.5	0.2	116	274
GN 918.5-50-KVS*-42	50	42	M 8	30	11	24	12	41	62	36	2.5	0.2	116	277
GN 918.5-50-KVS*-52	50	52	M 8	30	11	24	12	41	62	36	2.5	0.2	116	282
GN 918.5-50-KVS*-62	50	62	M 8	30	11	24	12	41	62	36	2.5	0.2	116	285
GN 918.5-50-KVS*-72	50	72	M 8	30	11	24	12	41	62	36	2.5	0.2	116	289
GN 918.5-50-KVS*-82	50	82	M 8	30	11	24	12	41	62	36	2.5	0.2	116	293
GN 918.5-50-KVS*-92	50	92	M 8	30	11	24	12	41	62	36	2.5	0.2	116	295
GN 918.5-50-KVS*-102	50	102	M 8	30	11	24	12	41	62	36	2.5	0.2	116	294
GN 918.5-50-KVS*-112	50	112	M 8	30	11	24	12	41	62	36	2.5	0.2	116	302

Weight type R



Machine elements 9



\* Complete with

**R**  
By clockwise rotation (drawn version)

**L**  
By anti-clockwise rotation

GN 918.5-GVS

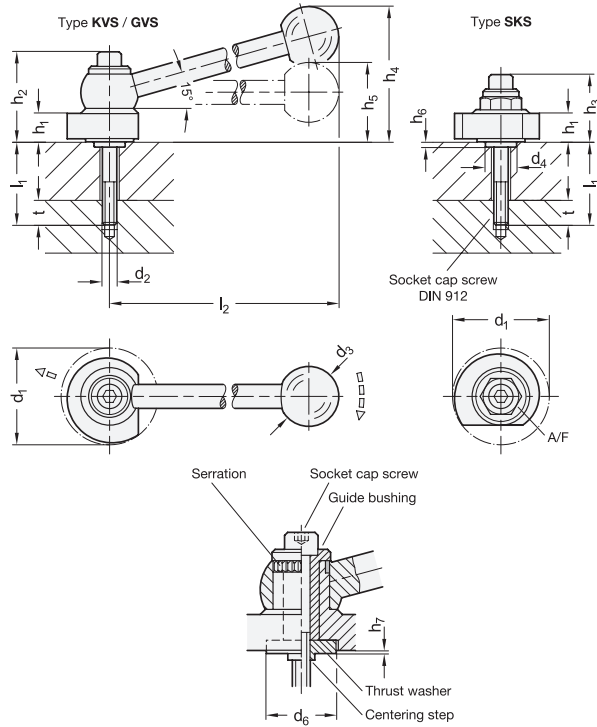
STAINLESS STEEL

Description	d1 -0.5	l1	d2	d3	d4 h9	d6	h1	h2	h4 ≈	h5	h6 -0.1	h7 ≈	l2 ≈	⚖
GN 918.5-40-GVS-*10	40	10	M 6	25	9	20	10	36	55	31	2.5	0.2	100	154
GN 918.5-40-GVS-*15	40	15	M 6	25	9	20	10	36	55	31	2.5	0.2	100	154
GN 918.5-40-GVS-*20	40	20	M 6	25	9	20	10	36	55	31	2.5	0.2	100	156
GN 918.5-40-GVS-*25	40	25	M 6	25	9	20	10	36	55	31	2.5	0.2	100	156
GN 918.5-40-GVS-*30	40	30	M 6	25	9	20	10	36	55	31	2.5	0.2	100	158
GN 918.5-40-GVS-*40	40	40	M 6	25	9	20	10	36	55	31	2.5	0.2	100	159
GN 918.5-40-GVS-*45	40	45	M 6	25	9	20	10	36	55	31	2.5	0.2	100	160
GN 918.5-40-GVS-*50	40	50	M 6	25	9	20	10	36	55	31	2.5	0.2	100	160
GN 918.5-40-GVS-*60	40	60	M 6	25	9	20	10	36	55	31	2.5	0.2	100	162
GN 918.5-40-GVS-*65	40	65	M 6	25	9	20	10	36	55	31	2.5	0.2	100	164
GN 918.5-40-GVS-*70	40	70	M 6	25	9	20	10	36	55	31	2.5	0.2	100	166
GN 918.5-40-GVS-*80	40	80	M 6	25	9	20	10	36	55	31	2.5	0.2	100	168
GN 918.5-40-GVS-*90	40	90	M 6	25	9	20	10	36	55	31	2.5	0.2	100	170
GN 918.5-50-GVS-*12	50	12	M 8	30	11	24	12	41	62	36	2.5	0.2	116	282
GN 918.5-50-GVS-*22	50	22	M 8	30	11	24	12	41	62	36	2.5	0.2	116	286
GN 918.5-50-GVS-*32	50	32	M 8	30	11	24	12	41	62	36	2.5	0.2	116	290
GN 918.5-50-GVS-*42	50	42	M 8	30	11	24	12	41	62	36	2.5	0.2	116	293
GN 918.5-50-GVS-*52	50	52	M 8	30	11	24	12	41	62	36	2.5	0.2	116	298
GN 918.5-50-GVS-*62	50	62	M 8	30	11	24	12	41	62	36	2.5	0.2	116	301
GN 918.5-50-GVS-*72	50	72	M 8	30	11	24	12	41	62	36	2.5	0.2	116	305
GN 918.5-50-GVS-*82	50	82	M 8	30	11	24	12	41	62	36	2.5	0.2	116	309
GN 918.5-50-GVS-*92	50	92	M 8	30	11	24	12	41	62	36	2.5	0.2	116	311
GN 918.5-50-GVS-*102	50	102	M 8	30	11	24	12	41	62	36	2.5	0.2	116	312
GN 918.5-50-GVS-*112	50	112	M 8	30	11	24	12	41	62	36	2.5	0.2	116	318

Weight type R



Machine elements 9



\* Complete with

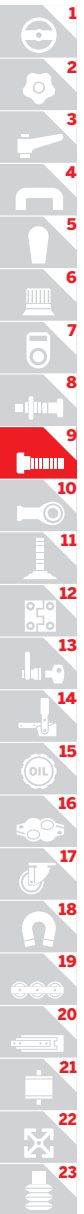
- R** By clockwise rotation (drawn version)
- L** By anti-clockwise rotation

GN 918.5-SKS

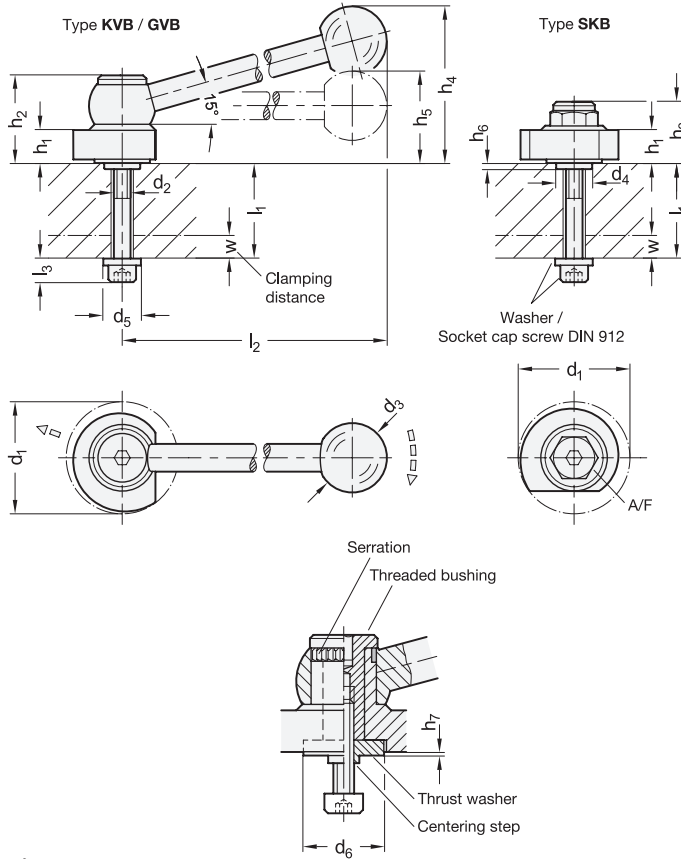
STAINLESS STEEL

Description	d1 -0.5	l1	d2	d4 H9	d6	h1	h3	h6 -0.1	h7 ≈	A/F	Δ
GN 918.5-40-SKS-*-15	40	15	M 6	9	20	10	26	2.5	0.2	15	72
GN 918.5-40-SKS-*-20	40	20	M 6	9	20	10	26	2.5	0.2	15	73
GN 918.5-40-SKS-*-25	40	25	M 6	9	20	10	26	2.5	0.2	15	74
GN 918.5-40-SKS-*-30	40	30	M 6	9	20	10	26	2.5	0.2	15	75
GN 918.5-40-SKS-*-35	40	35	M 6	9	20	10	26	2.5	0.2	15	76
GN 918.5-40-SKS-*-40	40	40	M 6	9	20	10	26	2.5	0.2	15	78
GN 918.5-40-SKS-*-50	40	50	M 6	9	20	10	26	2.5	0.2	15	78
GN 918.5-40-SKS-*-55	40	55	M 6	9	20	10	26	2.5	0.2	15	79
GN 918.5-40-SKS-*-60	40	60	M 6	9	20	10	26	2.5	0.2	15	81
GN 918.5-40-SKS-*-70	40	70	M 6	9	20	10	26	2.5	0.2	15	83
GN 918.5-40-SKS-*-75	40	75	M 6	9	20	10	26	2.5	0.2	15	85
GN 918.5-40-SKS-*-80	40	80	M 6	9	20	10	26	2.5	0.2	15	87
GN 918.5-40-SKS-*-90	40	90	M 6	9	20	10	26	2.5	0.2	15	89
GN 918.5-50-SKS-*-12	50	12	M 8	11	24	12	31	2.5	0.2	19	141
GN 918.5-50-SKS-*-22	50	22	M 8	11	24	12	31	2.5	0.2	19	145
GN 918.5-50-SKS-*-32	50	32	M 8	11	24	12	31	2.5	0.2	19	149
GN 918.5-50-SKS-*-42	50	42	M 8	11	24	12	31	2.5	0.2	19	152
GN 918.5-50-SKS-*-52	50	52	M 8	11	24	12	31	2.5	0.2	19	157
GN 918.5-50-SKS-*-62	50	62	M 8	11	24	12	31	2.5	0.2	19	160
GN 918.5-50-SKS-*-72	50	72	M 8	11	24	12	31	2.5	0.2	19	164
GN 918.5-50-SKS-*-82	50	82	M 8	11	24	12	31	2.5	0.2	19	168
GN 918.5-50-SKS-*-92	50	92	M 8	11	24	12	31	2.5	0.2	19	170
GN 918.5-50-SKS-*-102	50	102	M 8	11	24	12	31	2.5	0.2	19	168
GN 918.5-50-SKS-*-112	50	112	M 8	11	24	12	31	2.5	0.2	19	177

Weight type R



Machine elements



\* Complete with

**R** By clockwise rotation (drawn version)

**L** By anti-clockwise rotation

GN 918.5-KVB

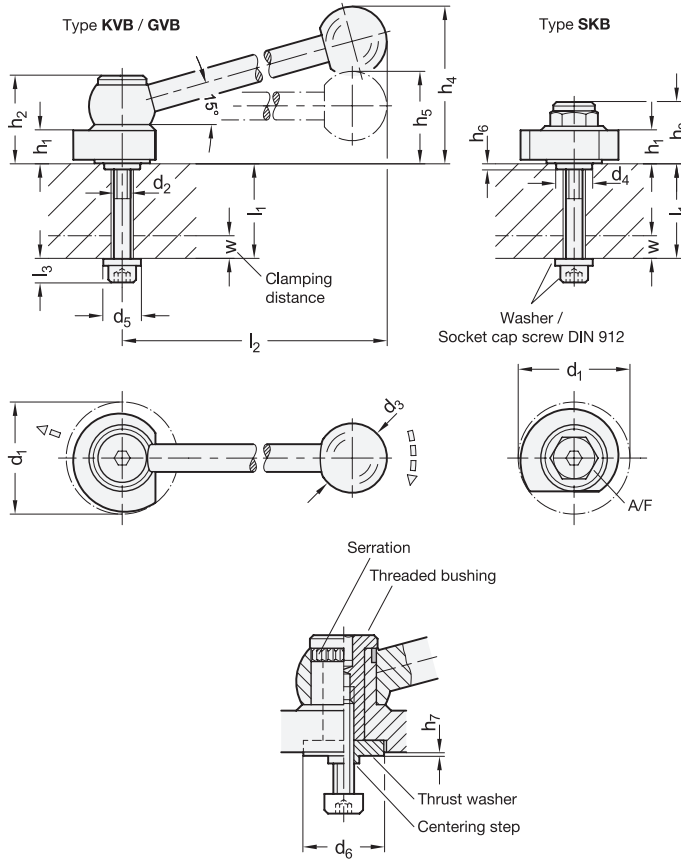
STAINLESS STEEL

Description	d1 -0.5	l1 max.	d2	d3	d4 h9	d5	d6	h1	h2	h4 ≈	h5	h6 -0.1	h7 ≈	l2 ≈	l3	w max.	⚖
GN 918.5-40-KVB-*-12	40	12	M 6	25	9	12	20	10	30.5	55	31	2.5	0.2	100	8.5	5	152
GN 918.5-40-KVB-*-22	40	22	M 6	25	9	12	20	10	30.5	55	31	2.5	0.2	100	8.5	5	154
GN 918.5-40-KVB-*-27	40	27	M 6	25	9	12	20	10	30.5	55	31	2.5	0.2	100	8.5	5	156
GN 918.5-40-KVB-*-32	40	32	M 6	25	9	12	20	10	30.5	55	31	2.5	0.2	100	8.5	5	156
GN 918.5-40-KVB-*-37	40	37	M 6	25	9	12	20	10	30.5	55	31	2.5	0.2	100	8.5	5	158
GN 918.5-40-KVB-*-42	40	42	M 6	25	9	12	20	10	30.5	55	31	2.5	0.2	100	8.5	5	158
GN 918.5-40-KVB-*-47	40	47	M 6	25	9	12	20	10	30.5	55	31	2.5	0.2	100	8.5	5	160
GN 918.5-40-KVB-*-57	40	57	M 6	25	9	12	20	10	30.5	55	31	2.5	0.2	100	8.5	5	161
GN 918.5-40-KVB-*-62	40	62	M 6	25	9	12	20	10	30.5	55	31	2.5	0.2	100	8.5	5	162
GN 918.5-40-KVB-*-67	40	67	M 6	25	9	12	20	10	30.5	55	31	2.5	0.2	100	8.5	5	162
GN 918.5-40-KVB-*-77	40	77	M 6	25	9	12	20	10	30.5	55	31	2.5	0.2	100	8.5	5	164
GN 918.5-40-KVB-*-82	40	82	M 6	25	9	12	20	10	30.5	55	31	2.5	0.2	100	8.5	5	166
GN 918.5-50-KVB-*-10	50	10	M 8	30	11	16	24	12	34.5	62	36	2.5	0.2	116	10.5	5	260
GN 918.5-50-KVB-*-20	50	20	M 8	30	11	16	24	12	34.5	62	36	2.5	0.2	116	10.5	5	262
GN 918.5-50-KVB-*-30	50	30	M 8	30	11	16	24	12	34.5	62	36	2.5	0.2	116	10.5	5	266
GN 918.5-50-KVB-*-40	50	40	M 8	30	11	16	24	12	34.5	62	36	2.5	0.2	116	10.5	5	270
GN 918.5-50-KVB-*-50	50	50	M 8	30	11	16	24	12	34.5	62	36	2.5	0.2	116	10.5	5	274
GN 918.5-50-KVB-*-60	50	60	M 8	30	11	16	24	12	34.5	62	36	2.5	0.2	116	10.5	5	277
GN 918.5-50-KVB-*-70	50	70	M 8	30	11	16	24	12	34.5	62	36	2.5	0.2	116	10.5	5	282
GN 918.5-50-KVB-*-80	50	80	M 8	30	11	16	24	12	34.5	62	36	2.5	0.2	116	10.5	5	285
GN 918.5-50-KVB-*-90	50	90	M 8	30	11	16	24	12	34.5	62	36	2.5	0.2	116	10.5	5	289
GN 918.5-50-KVB-*-100	50	100	M 8	30	11	16	24	12	34.5	62	36	2.5	0.2	116	10.5	5	293

Weight type R



Machine elements



\* Complete with

R By clockwise rotation (drawn version)

L By anti-clockwise rotation

GN 918.5-GVB

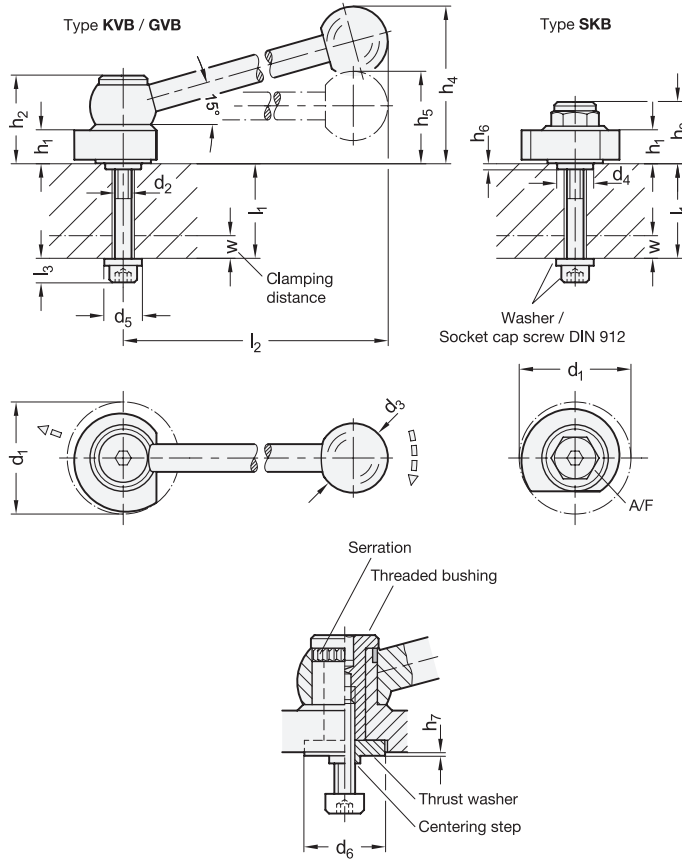
STAINLESS STEEL

Description	d1 -0.5	l1 max.	d2	d3	d4 h9	d5	d6	h1	h2	h4 ≈	h5	h6 -0.1	h7 ≈	l2 ≈	l3	w max.	Δ
GN 918.5-40-GVB-*-12	40	12	M 6	25	9	12	20	10	30.5	55	31	2.5	0.2	100	8.5	5	150
GN 918.5-40-GVB-*-22	40	22	M 6	25	9	12	20	10	30.5	55	31	2.5	0.2	100	8.5	5	152
GN 918.5-40-GVB-*-27	40	27	M 6	25	9	12	20	10	30.5	55	31	2.5	0.2	100	8.5	5	154
GN 918.5-40-GVB-*-32	40	32	M 6	25	9	12	20	10	30.5	55	31	2.5	0.2	100	8.5	5	154
GN 918.5-40-GVB-*-37	40	37	M 6	25	9	12	20	10	30.5	55	31	2.5	0.2	100	8.5	5	156
GN 918.5-40-GVB-*-42	40	42	M 6	25	9	12	20	10	30.5	55	31	2.5	0.2	100	8.5	5	156
GN 918.5-40-GVB-*-47	40	47	M 6	25	9	12	20	10	30.5	55	31	2.5	0.2	100	8.5	5	158
GN 918.5-40-GVB-*-57	40	57	M 6	25	9	12	20	10	30.5	55	31	2.5	0.2	100	8.5	5	159
GN 918.5-40-GVB-*-62	40	62	M 6	25	9	12	20	10	30.5	55	31	2.5	0.2	100	8.5	5	160
GN 918.5-40-GVB-*-67	40	67	M 6	25	9	12	20	10	30.5	55	31	2.5	0.2	100	8.5	5	160
GN 918.5-40-GVB-*-77	40	77	M 6	25	9	12	20	10	30.5	55	31	2.5	0.2	100	8.5	5	162
GN 918.5-40-GVB-*-82	40	82	M 6	25	9	12	20	10	30.5	55	31	2.5	0.2	100	8.5	5	164
GN 918.5-50-GVB-*-10	50	10	M 8	30	11	16	24	12	34.5	62	36	2.5	0.2	116	10.5	5	276
GN 918.5-50-GVB-*-20	50	20	M 8	30	11	16	24	12	34.5	62	36	2.5	0.2	116	10.5	5	278
GN 918.5-50-GVB-*-30	50	30	M 8	30	11	16	24	12	34.5	62	36	2.5	0.2	116	10.5	5	282
GN 918.5-50-GVB-*-40	50	40	M 8	30	11	16	24	12	34.5	62	36	2.5	0.2	116	10.5	5	286
GN 918.5-50-GVB-*-50	50	50	M 8	30	11	16	24	12	34.5	62	36	2.5	0.2	116	10.5	5	290
GN 918.5-50-GVB-*-60	50	60	M 8	30	11	16	24	12	34.5	62	36	2.5	0.2	116	10.5	5	293
GN 918.5-50-GVB-*-70	50	70	M 8	30	11	16	24	12	34.5	62	36	2.5	0.2	116	10.5	5	298
GN 918.5-50-GVB-*-80	50	80	M 8	30	11	16	24	12	34.5	62	36	2.5	0.2	116	10.5	5	301
GN 918.5-50-GVB-*-90	50	90	M 8	30	11	16	24	12	34.5	62	36	2.5	0.2	116	10.5	5	305
GN 918.5-50-GVB-*-100	50	100	M 8	30	11	16	24	12	34.5	62	36	2.5	0.2	116	10.5	5	309

Weight type R



Machine elements



\* Complete with

**R**  
By clockwise rotation (drawn version)

**L**  
By anti-clockwise rotation

GN 918.5-SKB

STAINLESS STEEL

Description	d1 -0.5	l1 max.	d2	d4 H9	d5	d6	h1	h3	h6 -0.1	h7 ≈	l3	A/F	w max.	⚙
GN 918.5-40-SKB-*-12	40	12	M 6	9	12	20	10	21	2.5	0.2	8.5	15	5	69
GN 918.5-40-SKB-*-22	40	22	M 6	9	12	20	10	21	2.5	0.2	8.5	15	5	71
GN 918.5-40-SKB-*-27	40	27	M 6	9	12	20	10	21	2.5	0.2	8.5	15	5	72
GN 918.5-40-SKB-*-32	40	32	M 6	9	12	20	10	21	2.5	0.2	8.5	15	5	73
GN 918.5-40-SKB-*-37	40	37	M 6	9	12	20	10	21	2.5	0.2	8.5	15	5	74
GN 918.5-40-SKB-*-42	40	42	M 6	9	12	20	10	21	2.5	0.2	8.5	15	5	75
GN 918.5-40-SKB-*-47	40	47	M 6	9	12	20	10	21	2.5	0.2	8.5	15	5	76
GN 918.5-40-SKB-*-57	40	57	M 6	9	12	20	10	21	2.5	0.2	8.5	15	5	78
GN 918.5-40-SKB-*-62	40	62	M 6	9	12	20	10	21	2.5	0.2	8.5	15	5	78
GN 918.5-40-SKB-*-67	40	67	M 6	9	12	20	10	21	2.5	0.2	8.5	15	5	79
GN 918.5-40-SKB-*-77	40	77	M 6	9	12	20	10	21	2.5	0.2	8.5	15	5	81
GN 918.5-40-SKB-*-82	40	82	M 6	9	12	20	10	21	2.5	0.2	8.5	15	5	83
GN 918.5-50-SKB-*-10	50	10	M 8	11	16	24	12	24	2.5	0.2	10.5	19	5	135
GN 918.5-50-SKB-*-20	50	20	M 8	11	16	24	12	24	2.5	0.2	10.5	19	5	138
GN 918.5-50-SKB-*-30	50	30	M 8	11	16	24	12	24	2.5	0.2	10.5	19	5	141
GN 918.5-50-SKB-*-40	50	40	M 8	11	16	24	12	24	2.5	0.2	10.5	19	5	145
GN 918.5-50-SKB-*-50	50	50	M 8	11	16	24	12	24	2.5	0.2	10.5	19	5	149
GN 918.5-50-SKB-*-60	50	60	M 8	11	16	24	12	24	2.5	0.2	10.5	19	5	152
GN 918.5-50-SKB-*-70	50	70	M 8	11	16	24	12	24	2.5	0.2	10.5	19	5	157
GN 918.5-50-SKB-*-80	50	80	M 8	11	16	24	12	24	2.5	0.2	10.5	19	5	160
GN 918.5-50-SKB-*-90	50	90	M 8	11	16	24	12	24	2.5	0.2	10.5	19	5	164
GN 918.5-50-SKB-*-100	50	100	M 8	11	16	24	12	24	2.5	0.2	10.5	19	5	168

Weight type R



Machine elements